

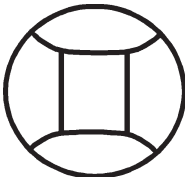
TM-G5

OPERATION AND MAINTENANCE OF SOUND SUPPRESSOR MODEL G5

INCLUDING ILLUSTRATED PARTS
AND SPECIAL TOOLS LIST

**Before using this suppressor,
be certain you have read and
understand this manual.**

Manufactured by



GEMTECH
Div. of Gemini Technologies, Inc.
P.O. Box 140618
Boise, Idaho 83714

ISSUED: March 30, 2006

★ ★ ★ ★ ★ **WARNING** ★ ★ ★ ★ ★

☞ **Because sound suppressed weapons make less noise than non-suppressed weapons, it is easy to forget that they are still firearms. It is of vital importance to remember that a sound suppressed firearm is just as dangerous as a non-suppressed one, and the same safe handling requirements apply.**

TM-G5

FIRST EDITION

March 2006

Published by:

ATI Star Press

Antares Technologies, Inc.

P.O. Box 140618

Boise, Idaho 83714

Phone: (208) 939-7222

COPYRIGHT NOTICE:

©2006 Gemini Technologies, Inc.

All rights reserved. The contents of this publication may not be reproduced in any form or by any means in whole or in part without the prior written permission of the copyright owner.

TM-G5

OPERATIONAL MANUAL FOR
SOUND SUPPRESSOR MODEL
G5™ (5.56mm)

Manufactured by

GEMTECH
Division of Gemini Technologies, Inc.
P.O. Box 140618
Boise, Idaho 83714-0618

Phone: (208) 939-7222
FAX: 208-939-7804

GEMTECH PROPRIETARY

This document contains proprietary information of Gemtech and is submitted to the receiver in confidence. Any reproduction, use and/or disclosure of this and/or any portion thereof is expressly prohibited without the express written permission of Gemtech

TABLE OF CONTENTS

SECTION	PAGE
Title Page	P 3
Table of Contents	P 4
Safety Notes	P 6
CHAPTER 1 INTRODUCTION	P. 7
I General	
1.1 Scope	
II Description and Data	
1.2 Equipment Description	
1.3 Compatibility with Existing Accessories	
1.4 Physical Specifications	
1.5 Components of End Item	
1.6 Consumable Items	
1.7 Description of Components	
CHAPTER 2 INSTALLATION INSTRUCTIONS	P. 9
I General	
2.1 Unpacking the Suppressor	
2.2 Tools Required to Install	
2.3 Torque Values	
II Weapon Installation Procedures	
2.4 General Description and Safety Caution	
2.5 Removal of Existing Hardware	
2.6 Preparation of Barrel	
2.7 Installation of the G5 Quik-Mount™ Compensator	
III Operation of the Suppressor	
2.8 General Mount/Dismount Procedure	
2.9 Operating Temperatures	
2.10 Operation under unusual conditions	
CHAPTER 3 MAINTENANCE INSTRUCTIONS	P.13
I Preventive Maintenance Checks and Services (PCMS)	
3.1 Purpose of PCMS	

- 3.2 Frequency of PCMS
- 3.3 Performance of PCMS

II Troubleshooting

- 3.4 General Troubleshooting Information
- 3.5 Troubleshooting Procedures

III Maintenance Procedures

- 3.6 Scope of Operator Maintenance
- 3.7 Scope of Armorer Maintenance
- 3.8 Scope of Depot Maintenance
- 3.9 Cleaning and Lubrication
- 3.10 Inspection
- 3.11 Destruction and Disposal

CHAPTER 4 AMMUNITION AND DUTY CYCLES P. 16

- I Ammunition
- II Duty Cycle/Fully Automatic Fire


ANNEXES

A	Warranty Statement	P. 17
B	Special Tools List	P. 17
C	Components of System and Parts List	P. 18
D	Rear Mount Disassembly	P. 19

LIST OF ILLUSTRATIONS

ILLUS	TITLE	PAGE
2.1	Suppressor Mounting	P. 11
C.1	Illustrated System Components	P. 18
D.1	Mount Disassembly	

☆☆☆☆☆ **WARNING** ☆☆☆☆☆

 **Failure to follow installation and maintenance instructions detailed in this manual can result in potential for serious injury to the user and damage to the weapon.** Firearm sound suppressors are user attached firearm muzzle devices, and as such are subject to improper attachment unless the proper procedures outlined in this manual are followed.


MANUFACTURER'S DISCLAIMER

The manufacturer is not responsible for improper usage of this product. This product is potentially dangerous, and as such it is the user's responsibility to understand and implement its proper use. If you do not understand the instructions in this manual, please contact the manufacturer for further clarification.

SAFETY NOTES

1. Always handle weapons in a safe manner and assume they are loaded until they have been cleared.
2. User installation or removal of the sound suppressor must be accomplished in accordance with the instructions contained in this book.
3. Any installation, or removal of the G5 Quik-Mount™ Compensator mounting system must be accomplished by a qualified armorer in accordance with the instructions contained in this book.
4. Serious injury to the user may result from an improperly installed G5 Quik-Mount™ Compensator mount and/or suppressor.
5. **Never shoot the suppressor with any liquid or ablative inside. Doing so can generate erratic and dangerous pressures. Any liquid introduced for cleaning must be completely removed with compressed air.**

☆☆☆☆☆ **DANGER** ☆☆☆☆☆

 **Before performing any maintenance operation, always remove the magazine from the firearm, open the action, and visually ascertain that the chamber is empty and the weapon unloaded. Failure to do so can result in potential for serious injury to the user and others in the vicinity.**

CHAPTER 1: INTRODUCTION

I GENERAL

- 1.1 Scope. This manual describes the operation, installation and maintenance of the G5 Sound Suppressor by the operator and qualified armorer personnel.

II DESCRIPTION AND DATA

- 1.2 Equipment Description: The G5 sound suppressor is a precision firearms sound suppressor designed to mount on a proprietary G5 Quik-Mount™ Compensator on the M4A1 Carbine (caliber 5.56x45mm). The sound suppressor will reduce sound and flash signatures as well as recoil. Featuring a patented G5 Quik-Mount™ quick detaching mounting system, the suppressor can be installed in only one rotational position and installed or removed in approximately 2-3 seconds. Through the use of a proprietary G5 Quik-Mount™ Compensator mounted on the weapon, the G5 suppressor can be quickly interchanged between a variety of weapons chambered for the 5.56x45mm cartridge.
- 1.3 Compatibility with existing accessories:
- 1.3.1 The proprietary G5 Quik-Mount™ Compensator permits attachment of the standard blank firing device and the M7 bayonet. The G5 Quik-Mount™ Compensator and sound suppressor do not interfere with mounting of or use of the M203 grenade launcher or the M4 rail system.
- 1.3.2 The G5 mounting system is 100% compatible with the older Gemtech Bi-Lock Compensator.

1.4 PHYSICAL SPECIFICATIONS

Length	7.07 (max) in.
Diameter	1.5 in
Weight	21 oz
Operating Temperature Range	-10/+170 F
Finish	Black Oxide Coating
Material	Titanium and Stainless steel

1.5 Items Comprising a System (See also Annex)

1.5.1 Standard Equipment

Quan. Description

1	Sound Suppressor, G5
1	G5 Quik-Mount™ Compensator, G5-1, phantom style
1	Operation Manual TM-G5
1	Installation Manual: TM-BiLock

1.5.2 Optional Equipment

1	G5 Quik-Mount™ Compensator, G5-2, A1 birdcage
1	G5 Quik-Mount™ Compensator, G5-3, A2 birdcage
1	G5-W1 Compensating spacer (used only with G5-3)

1.6 Consumable Items:

QUANTITY ITEM

2-3 drops	Flexbar ROCKSETT ceramic adhesive
1/2 cc	Lubriplate Super-Lube multipurpose synthetic-based lubricant with Teflon (cat. no. 82325)

1.7 Location and Description of Components

1.7.1 G5 Quik-Mount™ Compensator: The G5 Quik-Mount™ Compensator is attached to the existing muzzle threads of the rifle in place of the original factory flash compensator. It functions as a weapon mounting device for the G5 sound suppressor and as a flash suppression device when the sound suppressor is not in use. Normally threaded for the M16 series weapons, the G5-2 (A1 style) can be provided for mounting on a number of standard muzzle threads.

1.7.2 Compensating Spacer: The G5-W1 washer is used only with the G5-3 (A2 style) compensator to orient the slots upward. It is optional on the standard G5-1 or G5-2 compensators, as rotational orientation is not critical on these mounts. When used, it is located on the threaded barrel prior to installation of the G5 Quik-Mount™ Compensator. It functions as a compression washer and provides a means of orienting the G5 Quik-Mount™ Compensator properly.

1.7.3 Sound Suppressor: This is a device for significantly lowering the sound and flash signatures of any 5.56x45 mm firearm. Capable

of handling fully automatic fire, it is specifically designed for use with the M4A1 Carbine but can be mounted on any rifle through the use of the G5-1 (or -2) G5 Quik-Mount™ Compensator. It is designed for one-handed mounting or dismounting on the weapon in less than 2 seconds without the use of tools.

CHAPTER 2: INSTALLATION

SECTION I: GENERAL

- 2.1 Unpacking the Suppressor. Upon receiving the suppressor kit, inventory the contents of the kit in accordance with the packing list enclosed. The packing list should supersede this manual because of the possibility of special configurations ordered by the user.
- 2.2 Tools required for installation. (See also Annex C)
 1. Wrench, combination, NSN 4933-00-070-9152
 2. Wrench, torque limiting, 0-120 ft/lbs, 1/2 in drive.
- 2.3 Torque Values: G5 Quik-Mount™ Compensator: 35-45 ft/lbs

SECTION II: WEAPONS INSTALLATION INSTRUCTIONS

- 2.4 The mounting of the G5-1 (or G5-2) Quik-Mount™ Compensator on the weapon is to be performed only by a qualified armorer using the tools prescribed in this chapter. Mounting of the 5-3 (A3 style) quik-Mount Comensator is discussed in the upplimental publication TM-Bi-Lock. **(ARMORER LEVEL)**

CAUTION

UNLOAD AND CLEAR ALL WEAPONS BEFORE BEGINNING THIS PROCEDURE! SECURE WEAPON IN A HOLDING FIXTURE. DO NOT DAMAGE THE STOCK.

- 2.5 Removal of existing Compensator. Remove existing Compensator (flash hider) from the muzzle of the weapon using the Combination Wrench (NSN 4933-00-070-9152). Remove and discard the existing compensating spacer or crush washer.
- 2.6 Preparation of the barrel. The barrel must be cleaned of all dirt, grease, rust and other foreign matter using an approved solvent such as MEK

(methyl ethyl ketone). Rust, if any, must be removed with a wire brush or steel wool. Do not let any solvents contact the stock or leak between the stock and the action.

- 2.7 Installation of the G5-1 or G5-2 Quik-Mount™ Compensator. The orientation of the lugs is non-critical (except for the G5-3 Compensator), and requiring any specific orientation is strictly cosmetic.
 - 2.7.1 Hand tighten the Quik-Mount™ Compensator to be certain that the back face snugs against the shoulder on the barrel at the rear of the threads.
 - 2.7.2 Alignment is checked utilizing a mounted G5 suppressor and an alignment gauge.
 - 2.7.3 The G5 Quik-Mount™ Compensator is then removed, thoroughly degreased with MEK, and 2-3 drops of Flexbar Rocksett™ ceramic thread adhesive is placed on the treads. The G5 Quik-Mount™ Compensator is then torqued onto the barrel **without any type of washer or spacer** utilizing a torque wrench and the Combination Wrench (NSN: 4933-00-070-9152). The final torque must not be less than 35 ft/lbs nor more than 45 ft/lbs.
 - 2.7.4 Recheck alignment with an alignment gauge and a G5 suppressor.
 - 2.7.5 For mounting the G5-3 Quik-Mount™ Compensator (where rotational orientation is critical), see the separate installation booklet, TM-BILOCK.

SECTION III: MOUNTING and DISMOUNTING THE G5 SOUND SUPPRESSOR

2.8 SAFETY WARNING:

CAUTION

Before initiating Mount/Dismount Procedures, be absolutely certain that the weapon is unloaded, the magazine removed, and the bolt locked in the rear position.

- 2.8.1 Mounting: To mount and dismount the G5 sound suppressor on the G5 Quik-Mount™ Compensator, follow the following steps, detailed in the Fig. 2.1, P. 11:

- 2.8.1.1 Place the base of the suppressor onto the G5 Quik-Mount™ Compensator.
- 2.8.1.2 Rotate the suppressor until the lugs on the G5 Quik-Mount™ Compensator enter the base of the suppressor. This can occur in only one position.

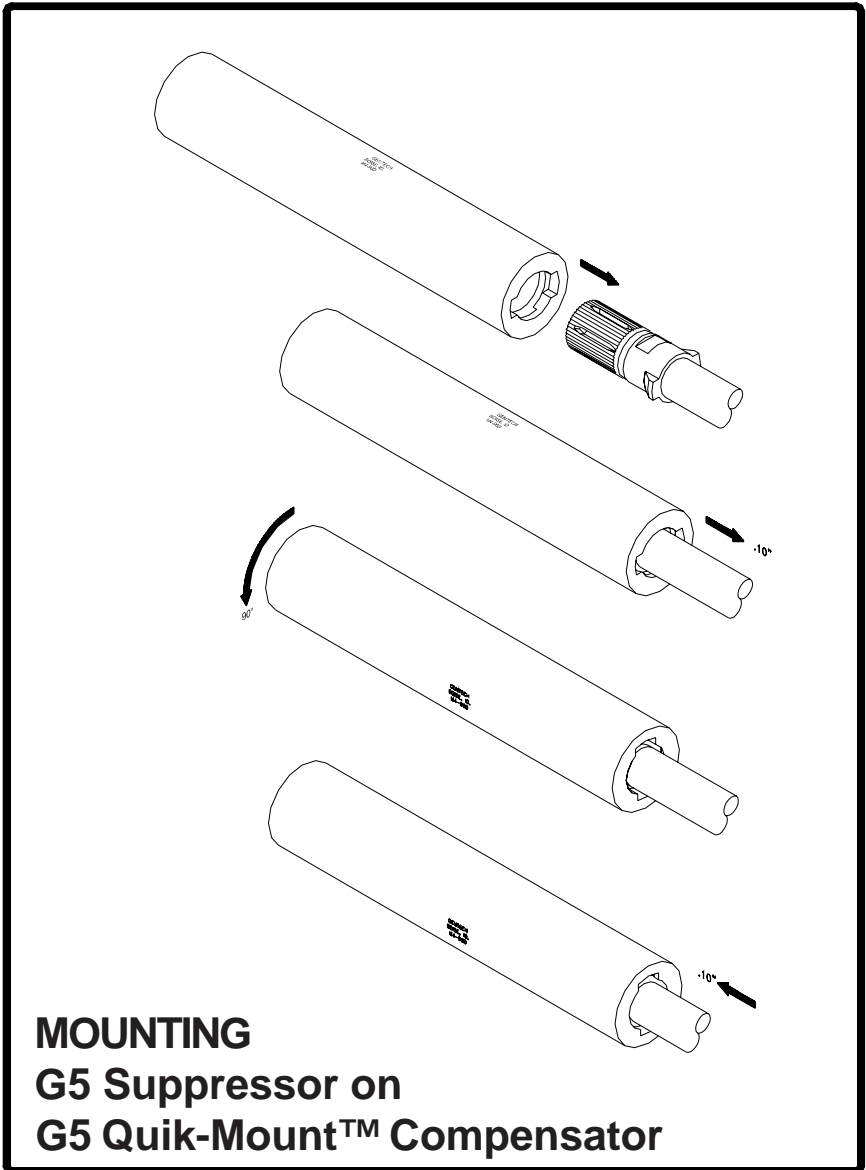


Fig. 2.1

- 2.8.1.3 Press the suppressor onto the G5 Quik-Mount™ Compensator against spring tension approximately 0.2 inch until the suppressor can be rotated on the G5 Quik-Mount™ Compensator.
- 2.8.1.4 Rotate the suppressor 90 degrees counter-clockwise (with reference to the operator's viewpoint) until the G5 Quik-Mount™ Compensator lugs engage in recesses in suppressor mount. Internal stops prevent over-rotation. The suppressor will snap forward approximately 0.1 inch when engaged. Gently attempt to twist the suppressor to be certain it is locked in position.
- 2.8.2 Dismounting: Dismounting is the reverse of mounting. The suppressor should be dismounted every 100 rounds to help reduce carbon buildup from the slots in the Quik-Mount Compensator.
 - 2.8.2.1 The suppressor will become dangerously hot with usage. If the suppressor must be dismounted when hot, a protective glove, such as Nomex, must be worn.
 - 2.8.2.2 Move the suppressor rearward on the G5 Quik-Mount™ Compensator approximately 0.1 inch until it can be rotated.
 - 2.8.2.3 Rotate the suppressor approximately 90 degrees clockwise (with respect to the operator's viewpoint).
 - 2.8.2.4 Pull the suppressor forward clear of the weapon. Carbon buildup on the G5 Quik-Mount™ Compensator can be broken loose by twisting the suppressor during removal after the mount has cleared the G5 Quik-Mount™ Compensator lugs.

SECTION IV: SUPPRESSOR OPERATION

- 2.9 Operating Temperatures. During use, the G5 suppressor absorbs large quantities of heat from the burning propellant gases. This heat is dissipated by radiation, convection, and conduction. The heat buildup is particularly noticeable during fully automatic fire, where the temperature of the suppressor can easily exceed 900°F in a short period of time. The rate of heat build-up approximates 7.5°F per round at an average rate of 2 rds/sec. The rate of cooling in the atmosphere increases slightly as the temperature differential between the suppressor and the ambient air increases. The elevated temperatures can pose a hazard to personnel and materials that may contact the suppressor when hot. Although **not** recommended, the suppressor can be cooled rapidly by immersion in a nonflammable liquid, such as water.
- 2.10 Operation under unusual conditions. The only modification to operation

of the suppressor shall be to wipe mud, sand and dust off the mating parts of the G5 Quik-Mount™ Compensator and suppressor mount before mounting during extreme conditions.

CHAPTER 3: MAINTENANCE INSTRUCTIONS

I PREVENTIVE MAINTENANCE CHECKS AND SERVICES (PMCS)

- 3.1 Purpose of PMCS: PMCS is performed daily while the suppressor is in use. The procedures are a systematic inspection of the system that will enable you to spot defects that might cause it to fail during a mission.
- 3.2 Frequency of performing PMCS: The frequency of performing PMCS is as follows:
 - A) Daily in use
 - B) Weekly in standby condition
 - C) Immediately after any severe shock to the weapon action.
 - D) After any maintenance to the weapon or suppressor.
- 3.3 Performance of PMCS: PMCS shall be performed in the following sequence:
 - 3.3.1 G5 Quik-Mount™ Compensator: Check for cleanliness, including carbon build-up. Clean and lubricate with a light oil as necessary. See ANNEX B.
 - 3.3.2 Suppressor:
 - 3.3.2.1 Visually inspect the suppressor bore for foreign objects, including sand and mud. If present, rinse sand or mud out with water, draining to the rear. **Do not use soaps.** Follow any water immersion by immersion in Diesel fuel, WD-40, Automatic Transmission Fluid, or other water absorbing organic solvent followed by draining and blowing completely dry with compressed air.
 - 3.3.2.2 Scrub the internal mounting surface that engages the long portion of the Compensator with a wire brush, such as one for cleaning 3/4 inch copper fittings to remove carbon build-up. Lightly coat this area with a high-temperature synthetic grease.
 - 3.3.2.2 No other cleaning of the suppressor is necessary or desirable. If solvent immersion is required, only CLP Solvent, WD-

40, Diesel fuel, or a mixture of 3:1 mineral spirits and Automatic Transmission Fluid are authorized. **Do not use water based solvents.** We do not encourage cleaning of any part of the suppressor other than the mount area.

3.3.2.3 Inspect the exterior for dents and other evidence of external damage. Replace suppressor if damaged.

II TROUBLESHOOTING

3.4 General troubleshooting information

3.4.1 This section contains troubleshooting information for locating and correcting most of the operating troubles which may develop in the suppressor. Each malfunction for an individual component, unit, or system is followed by a list of tests or inspections that will help to determine probable causes and corrective action to take. Perform the tests/inspections and corrective actions in the order listed.

3.4.2 This manual cannot list all possible malfunctions that may occur, or all possible tests or inspections and corrective actions. If a malfunction is not listed (except when malfunction and cause are obvious), or is not corrected by listed corrective actions, the suppressor should be serviced at the DEPOT level.

3.5 TROUBLESHOOTING PROCEDURES

3.5.1 G5 Quik-Mount™ Compensator loose or mis-oriented

Re-install (ARMORER)

3.5.2 G5 Quik-Mount™ Compensator damaged due to external abuse.

Replace G5 Quik-Mount™ Compensator (ARMORER)

3.5.3 Suppressor will not fit on G5 Quik-Mount™ Compensator

Clean G5 Quik-Mount™ Compensator and mating surface inside suppressor mount, lubricate with light oil, motor oil, or synthetic grease. (USER)

3.5.4 Failure to lock in position: Suppressor mount spring will not maintain tension to keep suppressor firmly on the G5 Quik-Mount™ Compensator.

See Annex D. Unscrew mount retaining plate, clean plate and spring, and lubricate with high temperature bearing grease. Re-

place spring if free length is less than 0.88 inches. (DEPOT)

3.5.5 Suppressor housing dented or damaged

Replace suppressor

III MAINTENANCE PROCEDURES

- 3.6 Scope of operator maintenance. Operator maintenance consists of external inspection of components of the suppressor for serviceability and cleaning. Maintenance instructions covered elsewhere in this manual (e.g., PMCS, troubleshooting) are not repeated in this section. Specifically refer to paragraph 3.3.2 and its subparagraphs.
- 3.7 Scope of Armorer's Maintenance: Armorer's maintenance shall consist of the installation, adjusting, and replacement of the G5 Quik-Mount™ Compensator.
- 3.8 Scope of Depot Maintenance: Depot maintenance shall include disassembly of the suppressor rear mount for lubrication or replacement of parts authorized in the maintenance allocation chart in Annex D.
- 3.9 Cleaning and lubrication. The operator is responsible for keeping the suppressor and G5 Quik-Mount™ Compensator clean and serviceable. Consumable cleaning and lubricating items are listed in ANNEX B. Cleaning and lubrication procedures are outlined earlier in this chapter (CMS and Troubleshooting) and will not be repeated.
- 3.10 Inspection. Inspection procedures are considered a part of preventive maintenance (PCMS) and trouble-shooting.
- 3.11 **Destruction and disposal:** Destruction of the G5 suppressor may be necessary to prevent its capture, utilization, or examination by hostile personnel. Techniques of disposal and destruction vary with circumstances, time available, and resources. Total destruction is preferable, as it prevents disclosure of the technology to the enemy.
- 3.11.1 Disposal at sea. The suppressor will rapidly sink to the depths of the sea, making recovery impractical.
- 3.11.2 Total destruction on land. This can be accomplished through the use of thermite grenades or high explosives. If time permits, the suppressor can be sawed into several pieces and the pieces scattered and/or buried over a wide area.
- 3.11.3 Partial destruction on land. The suppressor can be made unusable by means of small arms fire.

CHAPTER 4: AMMUNITION and DUTY CYCLE

I Ammunition

- 4.1 This suppressor was specifically designed for use with M855 ball ammunition. NATO SS-109 ammunition is also suitable. Most commercial 5.56mm ammunition will function properly in this suppressor.
- 4.2 Ammunition loaded with highly frangible projectiles must be used only in barrels having a twist rate of 1:9 or slower.
- 4.3 Subsonic ammunition is not recommended for use with this suppressor. With rare exceptions, subsonic ammunition does not stabilize properly, resulting in excessive yaw and potential baffle contact. With loose military chambers, there may not be enough pressure to properly obturate the neck, resulting in projectiles stuck in the barrel.

II Duty Cycle/Fully Automatic Fire

- 4.4 In the case of suppressors designed for .223 (5.56mm), there are some limitations in the duration of fully automatic fire due to shortcomings in the ammunition, *not the suppressor*.
- 4.5 5.56mm is a unique cartridge. The projectile is physically small and lightweight. The relatively high muzzle velocity causes excessive barrel heating from friction, with outside barrel temperatures exceeding 600° F in a 100 round burst. Bore temperature is considerably higher. The projectile contains a small quantity of lead, which after a 100 round burst softens and/or melts. The softening of the lead core results in geometric instability of the projectile, causing excessive yawing, tumbling, and suppressor baffle contact. These effects are not normally seen anywhere near this early in larger caliber projectiles, such as 7.62 NATO.
- 4.6 Although the suppressor is engineered to withstand long bursts, softening or melting of the bullet cores resulting in destabilization of 5.56mm ammunition will damage the suppressor. Because of the deleterious heating effect, most weapon manufacturers place serious limitations on sustained fully automatic fire and state that the barrel is ruined after a 200 round burst.

Limitations are ammunition limitations, and damage that results from host weapon abusive firing will not be covered under warranty.

ANNEX A: WARRANTY**WARRANTY STATEMENT**

Our "warranty" has been practiced since our personnel started in the suppressor business in 1976, in a time before legalese and when a handshake and this simple statement sufficed: "If a Gemtech product breaks and it's your fault, we'll fix it for a fair price in a timely manner. If it's our fault, we'll fix it quickly at no charge." This policy born of pride in craftsmanship and honor has served us and our clients well for over two decades and will continue in Gemtech's future.

The small print follows:

The Magnuson-Moss Act (Public Law 93-637) does not require any seller or manufacturer of a consumer product to give a written warranty. It does provide that if a written warranty is given, it must be designated as "full" or as "limited" and sets minimum standards for a "full" warranty.

As do all major firearms manufacturers, Gemtech has elected not to provide any written warranty, either "limited" or "full," rather than to attempt to comply with the provisions of the Magnuson-Moss Act and the regulations issued thereunder.

There are certain implied warranties under state law with respect to sales of consumer goods. As the extent and interpretation of these implied warranties varies from state to state, you should refer to your state statutes.

Gemtech certifies that all sound suppressors manufactured by them are free of defects in materials or workmanship, and that they meet manufacturing specifications at the time of manufacture.

It is our intent that the customer be completely satisfied with the product. Certain Gemtech products may be classified as ordnance and/or implements of war and are sold by us with the specific understanding that Gemtech has taken every reasonable precaution in providing our customers with inherently safe merchandise, and that we assume no liability whatsoever for unsafe handling by the purchaser or his agents. Gemtech assumes no responsibility whatsoever and we will honor no claims for damages, regardless of nature, for physical injury or property damage resulting from careless and/or irresponsible handling, adjustments to equipment, neglect or abuse.

Gemtech reserves the right to make changes at any time and without notice, in prices, to change specification or design, to add or remove accessory materials, and to add or delete items without incurring any obligation.

Use of ammunition that does not meet SAAMI specifications will void all warranties.

ANNEX B: SPECIAL TOOLS AND SUPPLIES LIST

QUAN.	PART No. and/or DESCRIPTION
1	NSN: 4933-00-070-9152, Wrench, Combination
1	Wrench, Torque Limiting, 0-120 ft/lbs, 1/2 in drive
1	Flexbar Rocksett™ ceramic thread locking adhesive (2-3 drops)
1	Tube lubricating grease, Lubriplate Super-Lube multipurpose synthetic-based lubricant with Teflon (cat. no. 82325)
1	Container light oil, such as Break-Free, Militec-1,

ANNEX C:

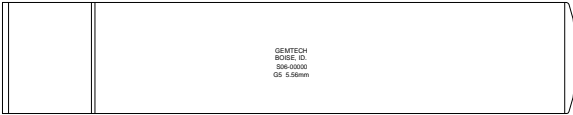

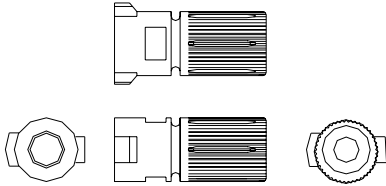
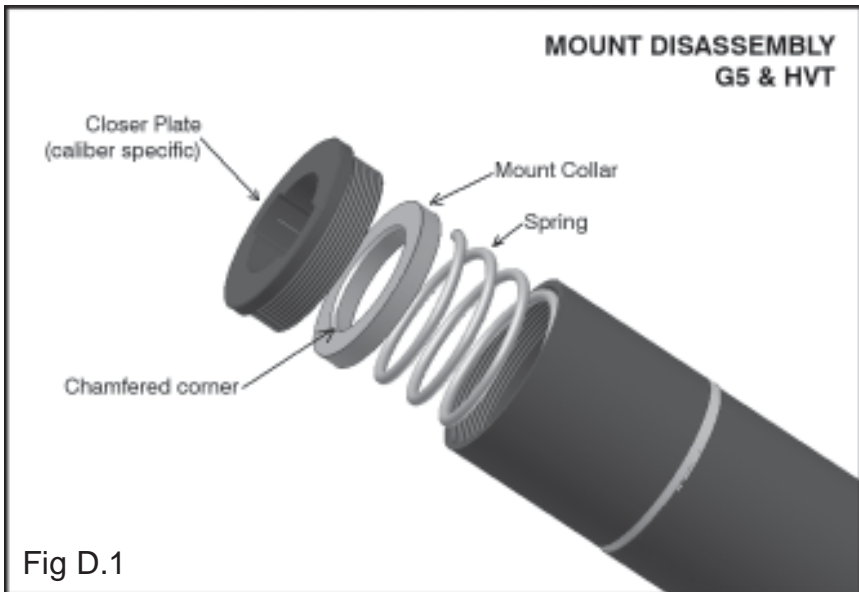
COMPONENTS OF A SYSTEM and ILLUSTRATED PARTS LIST	
QUAN.	PART No. and DESCRIPTION
1	 <p style="text-align: center;">G5: Sound Suppressor</p>
1	 <p style="text-align: center;">M4-W1: Compensating Spacer Optional: Used only with G5-3 (A2 style) Compensator</p>
1	 <p style="text-align: center;">G5 Quik-Mount COMPENSATOR</p>

Fig C.1

ANNEX D: (DEPOT LEVEL SERVICE)

REAR MOUNT DISASSEMBLY:

- 5.1 The G5 suppressor is a sealed unit and cannot be totally disassembled other than by the manufacturer. Attempting to do so will void the warranty and may permanently damage the suppressor.
- 5.2 The mount can be partially disassembled if necessary to replace the spring in the mount or to service the mount collar. The barrel mounted Quik-Mount G5 Compensator may be used as an assembly/disassembly tool.
- 5.3 The rear closer plate of the suppressor will unscrew, permitting removal of the mount collar and spring.
- 5.4 Clean surfaces and recesses in the mount as well as the spring and recesses in the closer plate. Coat surfaces with a small quantity of high temperature grease, such as Permatex Super-Lube synthetic lubricant.
- 5.5 Reassembly is the reverse of disassembly. The chamfered corner on the inside diameter of the mount collar must face to the rear of the suppressor. Secure the rear plate hand tight. The manufacturer recommends against thread sealants.
- 5.6 No other disassembly is possible.



All Gemtech products are
100% manufactured in the
United States of America.

